



GRANITE SERVICES

30736 Pearl Drive, St Joseph MN 56374  
P: 320-363-4640 F: 320-3634503  
www.GraniteServicesllc.com

# Granite Composite Sinks

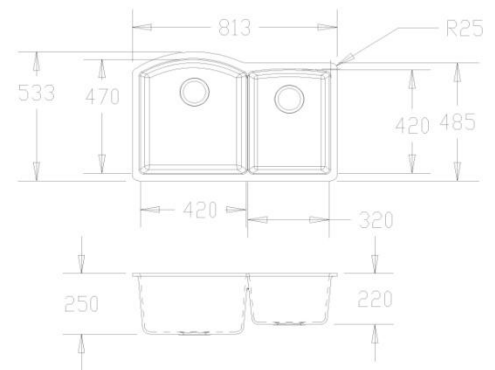
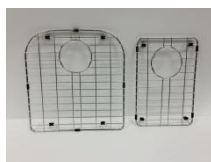


Model # IMG-G14

Material: Composite Granite

Dimensions: 60/40  
32.01" x 20.98" x 9.84"  
(8.66"-small bowl depth)

Color: Wheat



## Advantages of the granite sink:

- Offering an elegant look and cool feel
- Extremely hard and solid, indestructible
- Brilliant finish with variety of colors and textures
- Non-porous and resistant to scratches, stains, heat and bacteria. Acid, alkali and pollution resistant
- Smooth, solid, inconspicuous seam
- Superior stain/bacteria/chemical resistance
- Easily maintaining and repairable



STAIN RESISTANT



CHIP OR SCRATCH RESISTANT



SCORCH RESISTANT

(withstands temperatures up to 200°C (392°F))



SMOOTH AND EASY TO CLEAN