



GRANITE SERVICES

30736 Pearl Dr, St Joseph, MN 56374
P: 320-363-4640 Fax: 320-363-4503
www.graniteservicesllc.com

Granite Composite Sinks

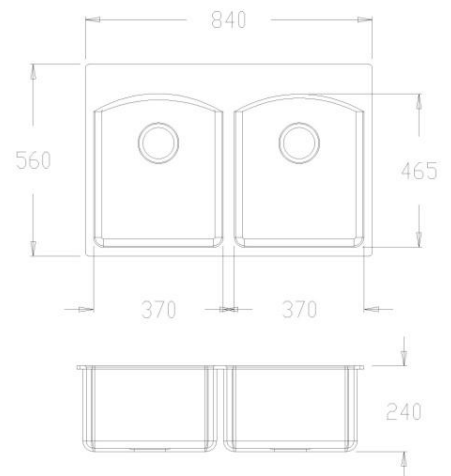


Model # IMG-G15

**Material: Composite
Granite**

**Dimensions: 50/50
33.07" x 22.05" x 9.45"**

Color: Dark Brown



Advantages of the granite sink:

- Offering an elegant look and cool feel
- Extremely hard and solid, indestructible
- Brilliant finish with variety of colors and textures
- Non-porous and resistant to scratches, stains, heat and bacteria. Acid, alkali and pollution resistant
- Smooth, solid, inconspicuous seam
- Superior stain/bacteria/chemical resistance
- Easily maintaining and repairable



STAIN RESISTANT



CHIP OR SCRATCH RESISTANT



SCORCH RESISTANT

(withstands temperatures up to 200°C (392°F))



SMOOTH AND EASY TO CLEAN